

NESTING++

Summary
of perfection

 **Mosaico**
art of nesting

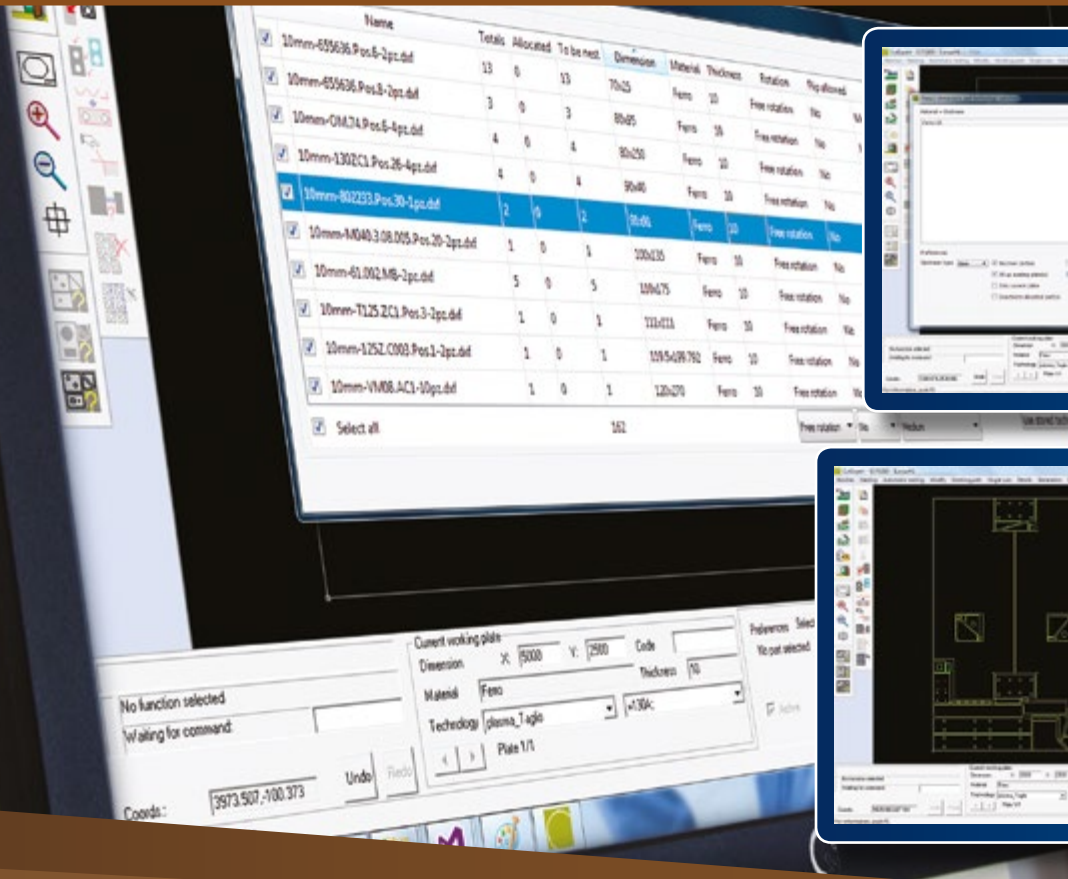


 **EUROSOFT**

The man is certainly the ultimate artist.

In the centuries he was able to combine knowledge and inspiration so as to create such beautiful artworks to make a dent.

The goal of an artist is to fulfil a perfect composition, made up of different shapes collocated in the littlest space possible without leaving out its aesthetic aspect.



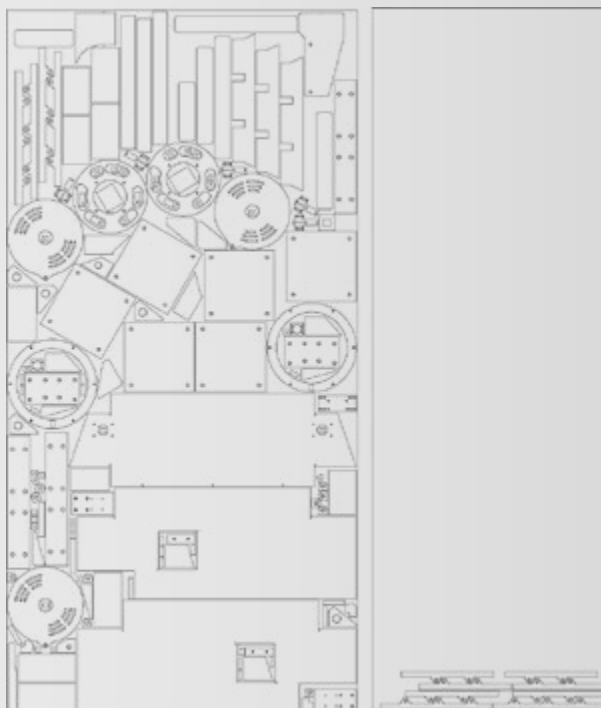
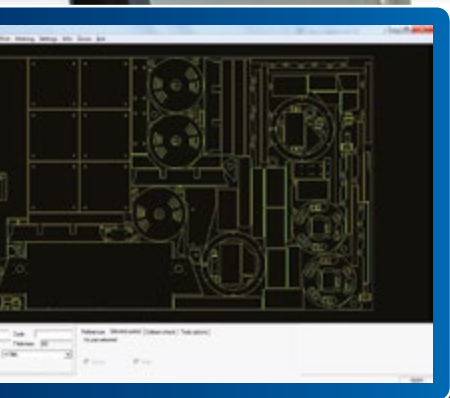
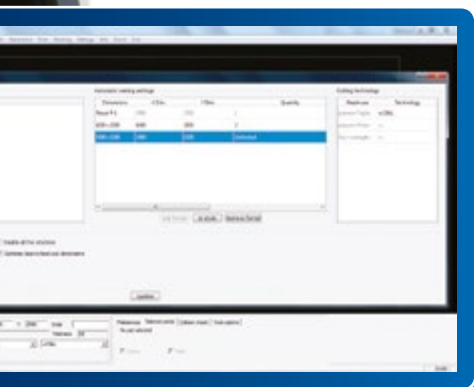
ART OF NESTING evolved intelligence

Amongst the components of **CAD/CAM** used, the most mysterious and discussed is **NESTING**.

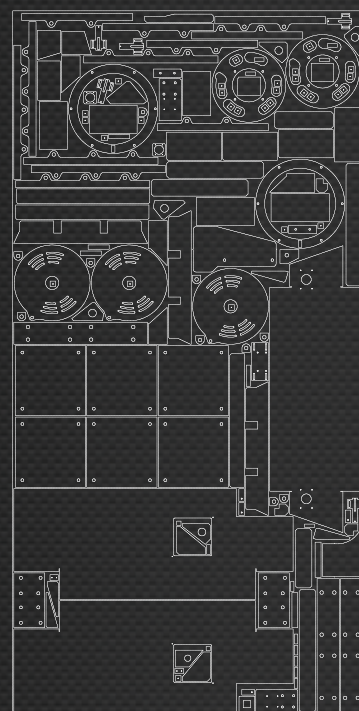
For about 30 years, since when the first rudimental and over-expensive systems came to life, we have chased announcements of innovative technologies that always followed a more or less noticeable disappointment of the users.

The relation **Time/Saving** has never been up to expectations, confirming that an automatic nesting will never be equal to men. It's now time to look forward, to dive in a completely different experience that will totally change your beliefs.

Mosaico is the evolved intelligence which combines the decennial nesting workers' expertise with speed of implementation and the ability of optimising spaces.



Classical advanced nesting



Mosaico

The new algorithms of Mosaico will permit you to achieve such astonishing results to make you definitively change idea on New Automatic Nesting

Zero Waste Technology

The new algorithms of Mosaico were conceived for the research of the best disposition possible and a waste reduction up to 10%

Cost Estimation Technology

With its rapidity and optimization, Mosaico allows the development of accurate quotes limiting to zero the probability of making estimates that are either too high (losing the opportunity) or too low (without realising expected profits)

Speed

Mosaico is extremely fast: in a few seconds it can do a better job than most of the systems on the market

Backtracking

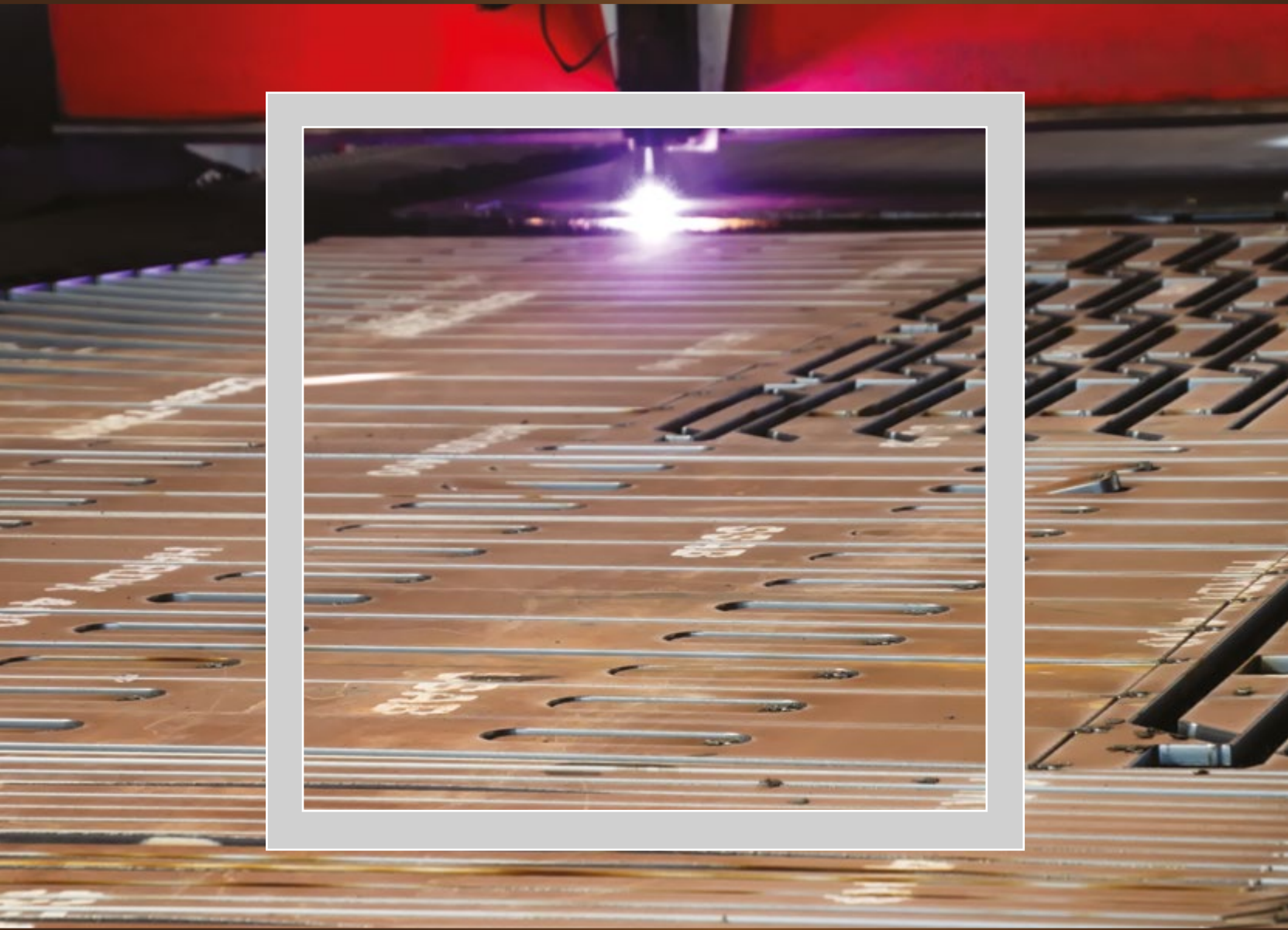
You only need to set the time and Mosaico will carry out the best nesting possible in the interval you have chosen

Nice Nesting Technology

Mosaico chooses the “cleanest” and most regular solution between all the available equivalent ones

Human Challenge Technology

During all the software developing phases, results have been confronted with the best nestings realized by experts in manual way in order to grasp their secrets and assimilate them in Mosaico



-  **Emaker**
vertical solutions for cutting machines
-  **cut expert**[®]
-  **Mosaico**
art of nesting
-  **Revolution** 4.0
-  **ECP** 10000
controller for cutting machinery
-  **Training**
learn with me



Via Majorana, 40
Montopoli V/Arno PI Italy

Ph. +39 0571 26 19 19
Fax +39 0571 26 19 20

info@eurosoft.it
www.eurosoft.it

