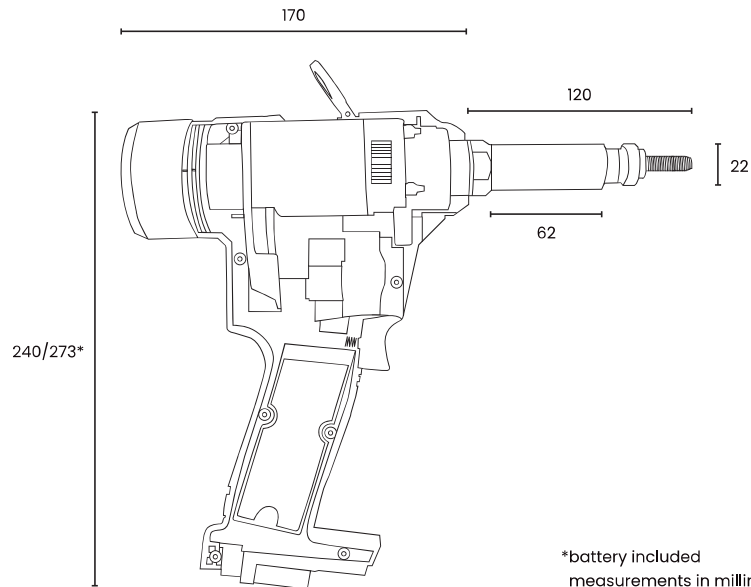


# N12XL

- M3 – M12 [INCLUDING STAINLESS STEEL]
- SETTING FORCE 25.000 N
- 10.0 MM DIGITAL STROKE CONTROL [0.1 MM STEPS]
- QUICK-MANDREL-RELEASE MECHANISM
- DIGITAL SETTINGS DISPLAY [STROKE | COUNTING | SERVICE]
- EMERGENCY MANDREL-REVERSE-BUTTON
- ERGONOMIC BALANCE AND SOFT GRIP DESIGN
- BRUSHLESS DC MOTOR
- 2X LITHIUM BATTERY 20V/2.0AH WITH CHARGE INDICATION
- SPEED CHARGER 100-240V/50-60HZ
- TOOL WEIGHT 2.1 KG [BATTERY INCLUDED]



# N12XL

Standard in the box



→ Spanner

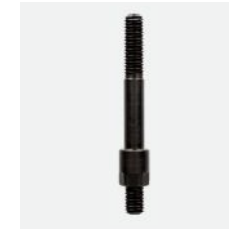


→ Anvil + mandrel  
M4 - M12

## Set-up



→ Q-Bolt  
anvil + puller  
M4 - M8



→ Q-Split-Nut 12 mm  
extended mandrel  
M5 - M10

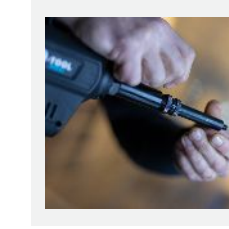
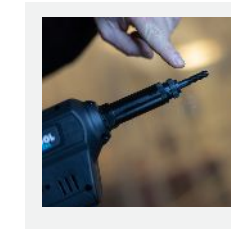
## Options



→ Anvil + mandrel  
M3

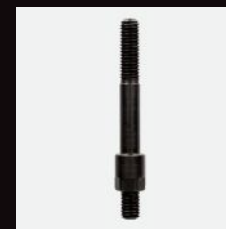


→ 145 mm extended  
anvil + mandrel  
\*M8 displayed in photo,  
check the extended parts  
list, for all M-sizes and  
diameters.



Partnumber	Set-up
<b>N12XL – SET UP – Q-SPLIT NUT</b>	
0504QN305E12	Q-N12XL Mandrel M5 Extended 12 mm (Q-Split-Nut)
0504QN306E12	Q-N12XL Mandrel M6 Extended 12 mm (Q-Split-Nut)
0504QN308E12	Q-N12XL Mandrel M8 Extended 12 mm (Q-Split-Nut)
0504QN310E12	Q-N12XL Mandrel M10 Extended 12 mm (Q-Split-Nut)
<b>N12XL – SET UP – Q-BOLT</b>	
0504QN384	Q-N12XL Q-Bolt complete anvil and puller M4
0504QN385	Q-N12XL Q-Bolt complete anvil and puller M5
0504QN386	Q-N12XL Q-Bolt complete anvil and puller M6
0504QN388	Q-N12XL Q-Bolt complete anvil and puller M8
<b>N12XL – OPTION – EXTENDED REACH</b>	
0504QN394E145	Q-N12XL Complete anvil and mandrel M4 Set Ext. 145mm - Ø 8.5
0504QN395E145	Q-N12XL Complete anvil and mandrel M5 Set Ext. 145mm - Ø 8.5
0504QN396E145	Q-N12XL Complete anvil and mandrel M6 Set Ext. 145mm - Ø 13
0504QN398E145	Q-N12XL Complete anvil and mandrel M8 Set Ext. 145mm - Ø 15

## Set-up



→ Q-Split Nut

## Options



→ Q-Bolt  
anvil + puller



→ Extended reach